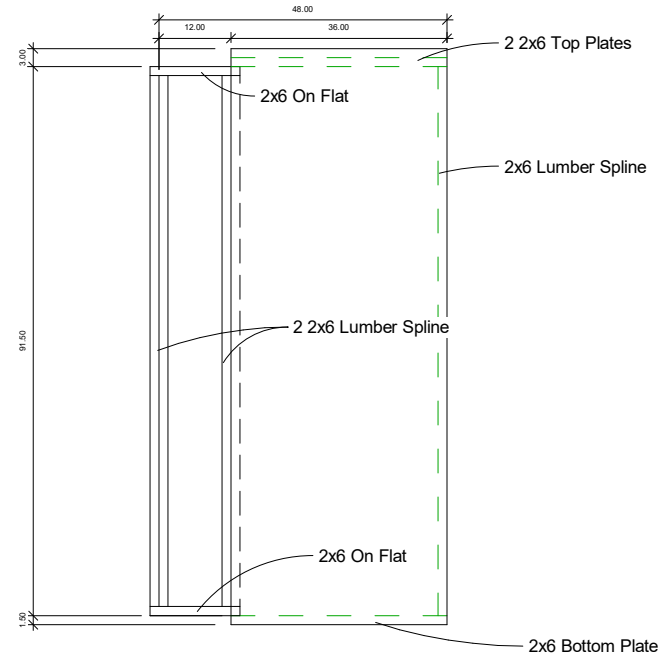
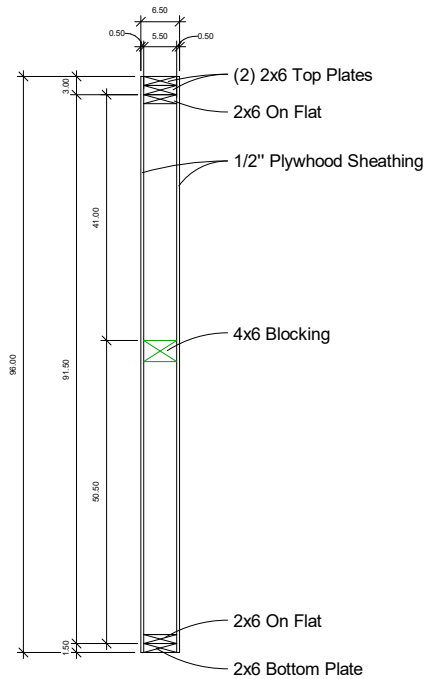


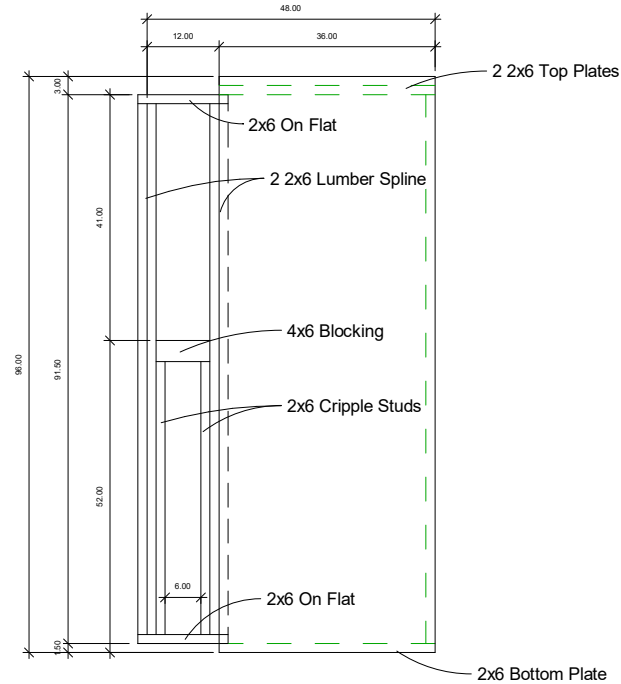
6 1/2" x 8' CHASE SPLINE SECTION DETAIL



6 1/2" x 8' CHASE SPLINE CONSTRUCTION DETAIL



6 1/2" x 8' TOP LEVEL CHASE SPLINE SECTION DETAIL



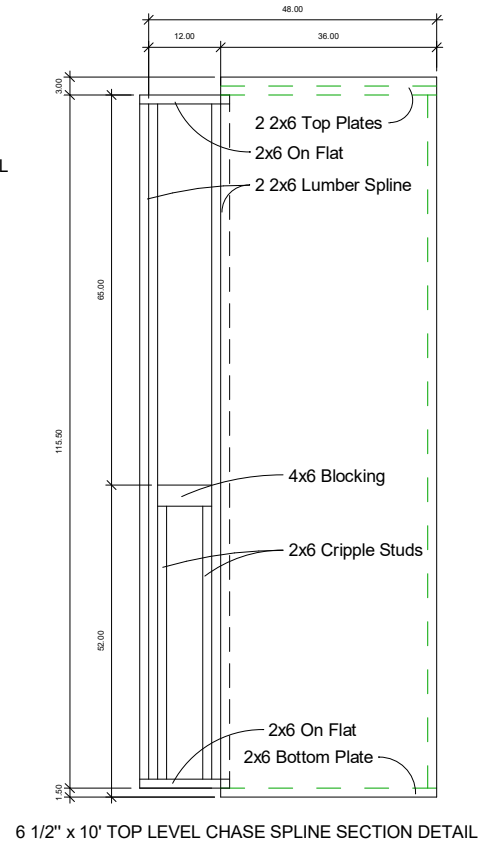
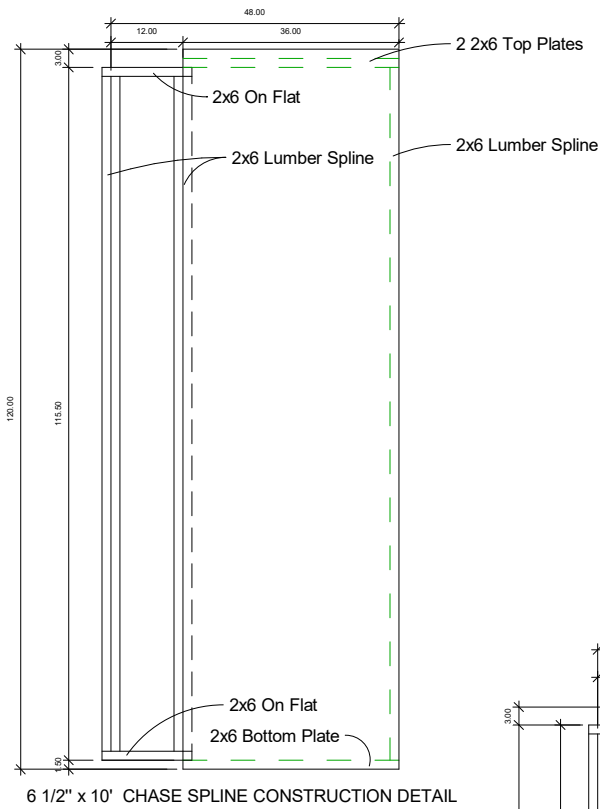
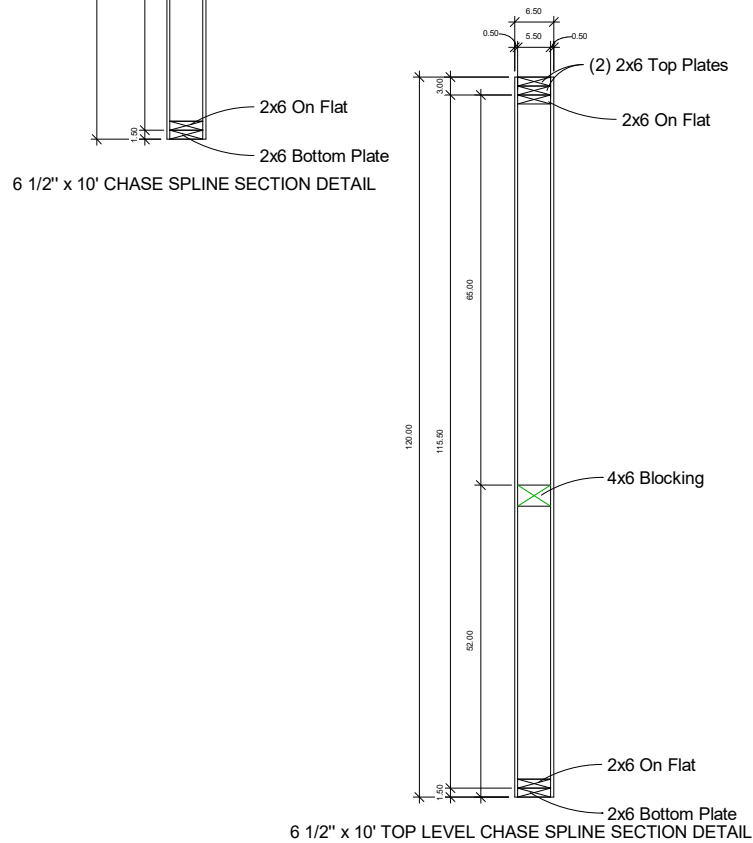
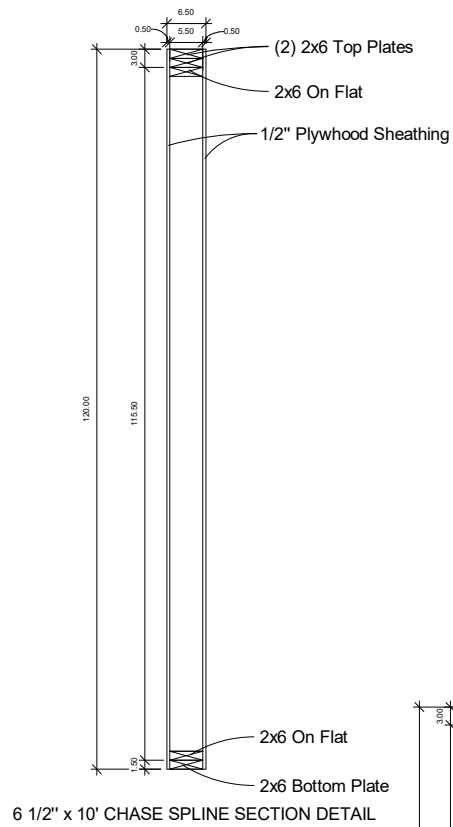
6 1/2" x 8' TOP LEVEL CHASE SPLINE SECTION DETAIL

OMC
PANELS

www.omcpanels.com

**6 1/2" x 8' - CHASE
SPLINE DETAILS
(ATS)**

Stamps



OMC
PANELS

www.omcpanels.com

**6 1/2" x 10' - CHASE
SPLINE DETAILS
(ATS)**

Stamps